

Sustainable LED Lighting Solutions...

## DATA SHEET.

**EL-CHNL-P02** | eLume LED Channel P02

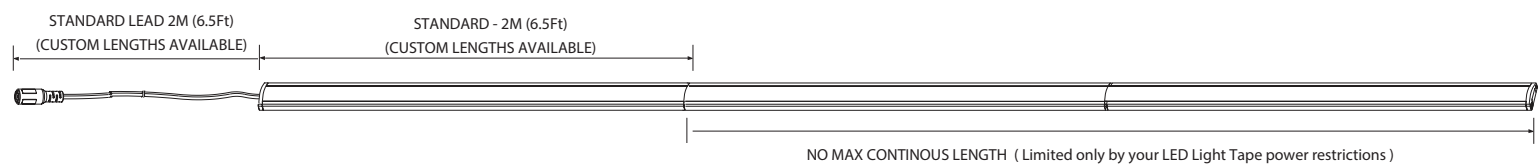
### SPECIFICATIONS.

MODEL #	EL-CHNL-P02/x (x = Lens Type)
DESCRIPTION	Standard Elume LED Channel P02
LENS OPTIONS	Clear, Frosted or Milky White
LENGTH	2M (78.74") Custom Lengths Available
MATERIAL	Aluminum w/ Matt Finish
HARDWARE	2 Mounting Clips + 2 End Caps Per 1M

### BENEFITS.

- Allows for simple and finished installation of eLume LED Tape
- Light weight aluminum extrusion
- Mounting clips allows for simple installation.
- Mounting clips can be placed anywhere along the channel.
- Channel easily snaps into mounting clips.
- Standard length 2M(6.5Ft) - Custom lengths available.
- Lengths can be placed next to each other for continuous runs.
- Field cuttable.
- 3 lens options - Clear , Milky White or Frosted.
- Lens easily snaps into channel.
- Extremely slim profile.
- End clips easily insert for a finished appearance.

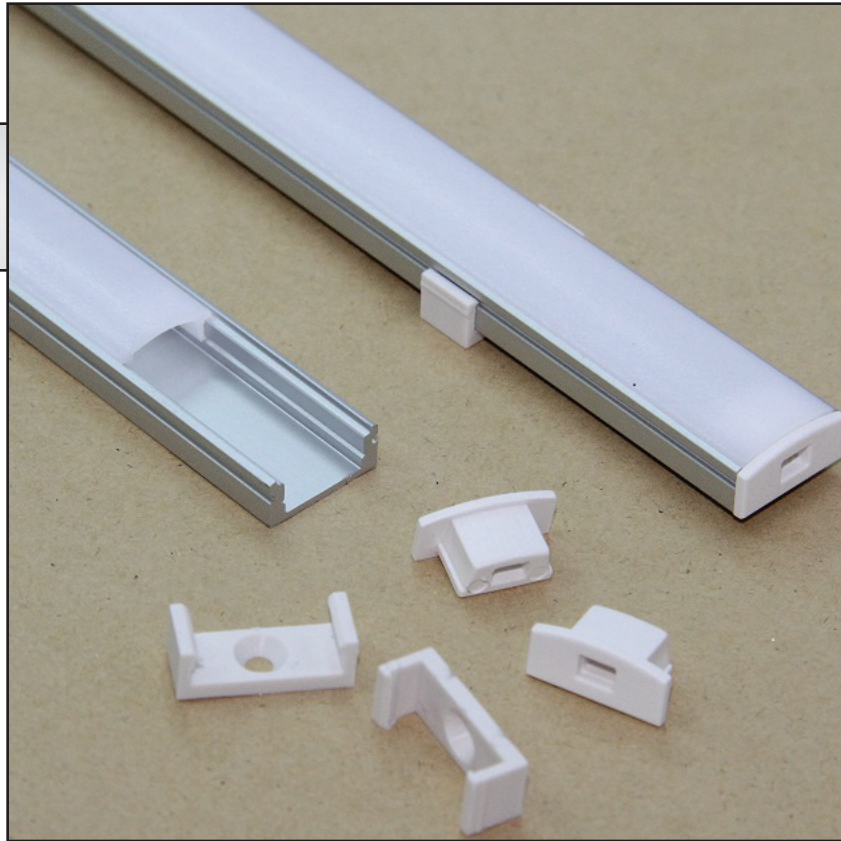
### LEAD & PROFILE



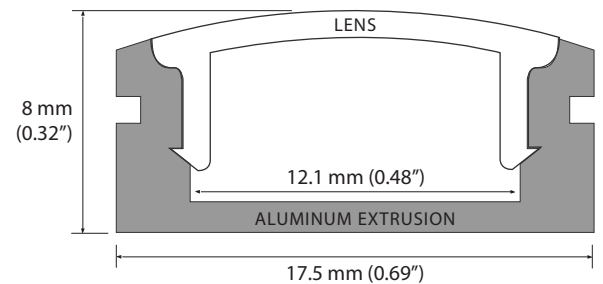
## CONTACT INFO.

www.elumanation.com  
T : 416.225.6400

info@elumanation.com  
1621-3 McEwen Drive, Whitby ON.  
Canada. L1N 9A5



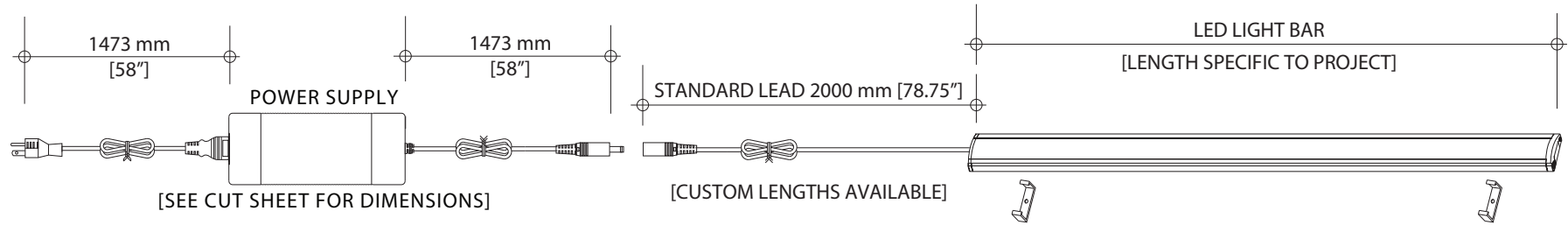
### CROSS SECTION



### LENS OPTIONS.

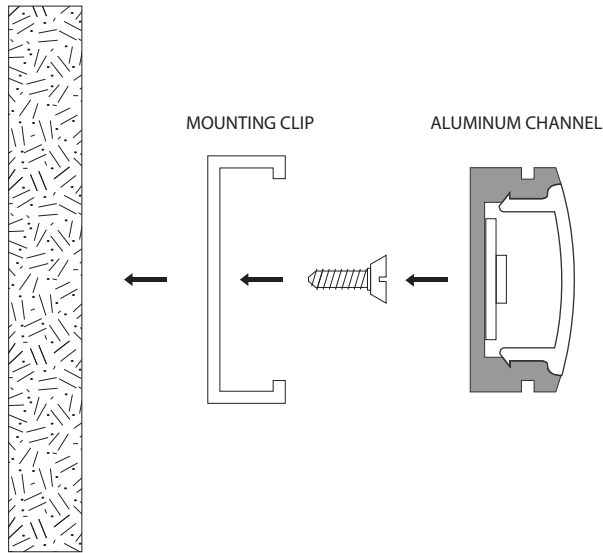


## ELUME LED LIGHT TAPE - P02 CHANNEL - PLUG & PLAY WIRING SCHEMATICS



## ELUME LED LIGHT TAPE - P02 CHANNEL - MOUNTING

SUBSTRATE



## ELUME P02 CHANNEL - CROSS SECTION

